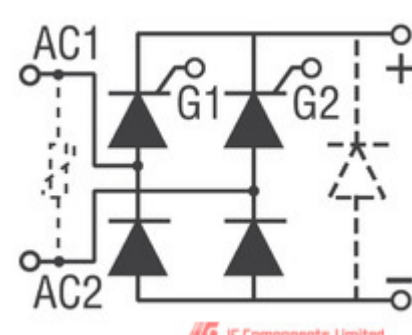


crydom



M5060SB400

Manufacturer Part Number:	M5060SB400
Manufacturer / Brand	CRYDOM
Part of Description:	CRYDOM IGBT Modules
Datasheets:	M5060SB400(1).pdf M5060SB400(2).pdf M5060SB400(3).pdf
Lead Free Status / RoHS Status:	
Stock Condition:	New original, 2727 pcs Stock Available.
Ship From:	Hong Kong
Shipment Way:	DHL/Fedex/TNT/UPS

GET A QUOTE

M5060SB400 100% New Original 2727pcs in Stock, Find M5060SB400 Price, Stock, datasheet at IC Components Ltd Online, buy M5060SB400 Crydom with warrantied. 100% guarantee confidence. RFQ M5060SB400: Info@IC-Components.com

The specifications of M5060SB400

Part Number	M5060SB400	Manufacturer / Brand	CRYDOM
Voltage - Peak Reverse (Max)	400V	Voltage - Forward (VF) (Max) @ If	1.35V @ 50A
Technology	Standard	Supplier Device Package	Module
Series	-	Packaging	Bulk
Package / Case	Module	Other Names	CC1656 M5060SB400-ND
Operating Temperature	-40°C ~ 125°C (TJ)	Mounting Type	Chassis Mount
Diode Type	Single Phase	Detailed Description	Bridge Rectifier Single Phase Standard 400V Chassis Mount Module
Current - Average Rectified (Io)	60A	Stock Quantity	2727 pcs Stock
Category	Discrete Semiconductor Products > Diodes - Bridge Rectifiers	Description	CRYDOM IGBT Modules
Lead Free Status / RoHS Status			

Keywords related to M5060SB400

Crydom M5060SB400	M5060SB400 part	M5060SB400 Price	M5060SB400 Distributor
M5060SB400 Technical	M5060SB400 Stock	M5060SB400 Inventory	M5060SB400 Supplier
M5060SB400 Online Order	M5060SB400 Inquiry	M5060SB400 Image	M5060SB400 Picture
M5060SB400 pdf	M5060SB400 datasheet	M5060SB400 data sheet	M5060SB400 pdf datasheet
Download M5060SB400 datasheet	Crydom Manufacturer	Crydom M5060SB400	AMI SEMICONDUCTOR M5060SB400
Crydom Co. M5060SB400	Sensata Technologies – Crydom M5060SB400		

You May Be Also Be interested In:

 M507 Description: Manufacturers: CRYDOM In Stock: New original, 2813 pcs Stock Available. Quote: <input type="button" value="RFQ"/>	 M50734SP-10 Description: Manufacturers: MITSUBISI In Stock: New original, 6000 pcs Stock Available. Quote: <input type="button" value="RFQ"/>	 M5060SB1000 Description: CRYDOM IGBT Modules Manufacturers: CRYDOM In Stock: New original, 2825 pcs Stock Available. Quote: <input type="button" value="RFQ"/>
 M5060CC600 Description: CRYDOM IGBT Modules Manufacturers: CRYDOM In Stock: New original, 2772 pcs Stock Available. Quote: <input type="button" value="RFQ"/>	 M50731-613 Description: IGBT Modules Manufacturers: IC In Stock: New original, 2853 pcs Stock Available. Quote: <input type="button" value="RFQ"/>	 M5060DD400 Description: IGBT Modules Manufacturers: CRYDOM In Stock: New original, 2861 pcs Stock Available. Quote: <input type="button" value="RFQ"/>
 M5060TB1000 Description: CRYDOM IGBT Modules Manufacturers: CRYDOM In Stock: New original, 2851 pcs Stock Available. Quote: <input type="button" value="RFQ"/>	 M5060DD1000 Description: IGBT Modules Manufacturers: CRYDOM In Stock: New original, 2784 pcs Stock Available. Quote: <input type="button" value="RFQ"/>	 M5060SB800 Description: IGBT Modules Manufacturers: CRYDOM In Stock: New original, 2795 pcs Stock Available. Quote: <input type="button" value="RFQ"/>
 M5060SB1400 Description: CRYDOM IGBT Modules Manufacturers: CRYDOM In Stock: New original, 2871 pcs Stock Available. Quote: <input type="button" value="RFQ"/>	 M5060TB1600 Description: Manufacturers: CRYDOM In Stock: New original, 5000 pcs Stock Available. Quote: <input type="button" value="RFQ"/>	 M5060DD600 Description: IGBT Modules Manufacturers: CRYDOM In Stock: New original, 2840 pcs Stock Available. Quote: <input type="button" value="RFQ"/>
 M5060TB1400 Description: CRYDOM IGBT Modules Manufacturers: CRYDOM In Stock: New original, 2632 pcs Stock Available. Quote: <input type="button" value="RFQ"/>	 M5060DD800 Description: IGBT Modules Manufacturers: CRYDOM In Stock: New original, 2718 pcs Stock Available. Quote: <input type="button" value="RFQ"/>	 M5060TB1200 Description: CRYDOM IGBT Modules Manufacturers: CRYDOM In Stock: New original, 2877 pcs Stock Available. Quote: <input type="button" value="RFQ"/>
 M50741-603SP Description: IGBT Modules Manufacturers: IC In Stock: New original, 2654 pcs Stock Available. Quote: <input type="button" value="RFQ"/>	 M5060DD1400 Description: IGBT Modules Manufacturers: CRYDOM In Stock: New original, 2779 pcs Stock Available. Quote: <input type="button" value="RFQ"/>	 M5060DD200 Description: IGBT Modules Manufacturers: CRYDOM In Stock: New original, 2855 pcs Stock Available. Quote: <input type="button" value="RFQ"/>
 M5060DD1200 Description: IGBT Modules Manufacturers: CRYDOM In Stock: New original, 2686 pcs Stock Available. Quote: <input type="button" value="RFQ"/>	 M5060TB400 Description: CRYDOM IGBT Modules Manufacturers: CRYDOM In Stock: New original, 2830 pcs Stock Available. Quote: <input type="button" value="RFQ"/>	 M5060TB200 Description: IGBT Modules Manufacturers: CRYDOM In Stock: New original, 2768 pcs Stock Available. Quote: <input type="button" value="RFQ"/>
 M5060SB1200 Description: CRYDOM IGBT Modules Manufacturers: CRYDOM In Stock: New original, 2609 pcs Stock Available. Quote: <input type="button" value="RFQ"/>	 M5060CC800 Description: IGBT Modules Manufacturers: CRYDOM In Stock: New original, 2878 pcs Stock Available. Quote: <input type="button" value="RFQ"/>	 M5060SB200 Description: IGBT Modules Manufacturers: CRYDOM In Stock: New original, 2770 pcs Stock Available. Quote: <input type="button" value="RFQ"/>
 M50742-615SP Description: IGBT Modules Manufacturers: IC In Stock: New original, 2685 pcs Stock Available. Quote: <input type="button" value="RFQ"/>	 M5060TB600 Description: CRYDOM IGBT Modules Manufacturers: CRYDOM In Stock: New original, 2753 pcs Stock Available. Quote: <input type="button" value="RFQ"/>	 M50740-610SP Description: IGBT Modules Manufacturers: IC In Stock: New original, 2763 pcs Stock Available. Quote: <input type="button" value="RFQ"/>
 M5060SB1600 Description: CRYDOM IGBT Modules Manufacturers: CRYDOM In Stock: New original, 2728 pcs Stock Available. Quote: <input type="button" value="RFQ"/>	 M5060DD1600 Description: IGBT Modules Manufacturers: CRYDOM In Stock: New original, 2639 pcs Stock Available. Quote: <input type="button" value="RFQ"/>	 M5060SB600 Description: Manufacturers: IGBT Module In Stock: New original, 5000 pcs Stock Available. Quote: <input type="button" value="RFQ"/>



IC Components Limited
WWW.IC-COMPONENTS.COM

Email: Info@IC-Components.com
TEL: 00 852 - 30501935
FAX: 00 852 - 30501945

Address: 6H Block 1, Sherwood Court, Kingswood Villa, Tin Shui Wai, New Territories, Hong Kong