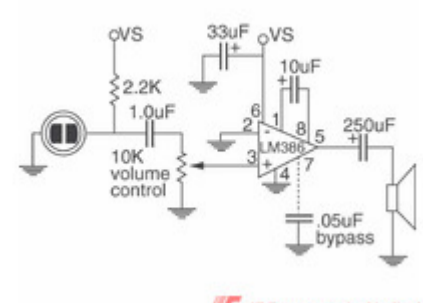


Panasonic



IC Components Limited

WM-61A

Manufacturer Part Number:	WM-61A
Manufacturer / Brand:	PANASONIC
Part of Description:	
Datasheets:	WM-61A.pdf
Lead Free Status / RoHS Status:	
Stock Condition:	New original, 5000 pcs Stock Available.
Ship From:	Hong Kong
Shipment Way:	DHL/Fedex/TNT/UPS

[GET A QUOTE](#)

WM-61A 100% New Original 5000pcs in Stock, Find WM-61A Price, Stock, datasheet at IC Components Ltd Online, buy WM-61A Panasonic with warrantied. 100% guarantee confidence. RFQ WM-61A: Info@IC-Components.com

The specifications of WM-61A

Part Number	WM-61A	Manufacturer / Brand	PANASONIC
Voltage Range	2V ~ 10V	Voltage - Rated	2V
Type	Electret Condenser	Termination	Solder Pads
Size / Dimension	0.236" Dia (6.00mm)	Shape	Circular
Series	WM-61A	Sensitivity	-35dB ±4dB @ 94dB SPL
S/N Ratio	62dB	Port Location	Top
Packaging	Bulk	Output Type	Analog
Other Names	P9925 WM61A	Moisture Sensitivity Level (MSL)	1 (Unlimited)
Impedance	2.2 kOhms	Height (Max)	0.134" (3.40mm)
Frequency Range	50Hz ~ 15kHz	Direction	Omnidirectional
Detailed Description	50Hz ~ 15kHz Analog Microphone Electret Condenser 2V ~ 10V Omnidirectional (-35dB ±4dB @ 94dB SPL) Solder Pads	Current - Supply	500µA
Stock Quantity	5000 pcs Stock	Category	Integrated Circuits (ICs) > Specialized ICs
Description	Lead Free Status / RoHS Status		

Keywords related to WM-61A

Panasonic WM-61A	WM-61A part	WM-61A Price	WM-61A Distributor
WM-61A Technical	WM-61A Stock	WM-61A Inventory	WM-61A Supplier
WM-61A Online Order	WM-61A Inquiry	WM-61A Image	WM-61A Picture
WM-61A pdf	WM-61A datasheet	WM-61A data sheet	WM-61A pdf datasheet
Download WM-61A datasheet	Panasonic Manufacturer	Panasonic WM-61A	Panasonic - Consumer Division WM-61A
Panasonic - Consumer Electronics Corp. WM-61A	Panasonic Battery Group WM-61A	Panasonic Electric Works - ACSD WM-61A	Panasonic Electronic Components - Semiconductor Pr WM-61A
Panasonic - ATG WM-61A	Panasonic - BSG WM-61A	Panasonic - DTG WM-61A	Panasonic Electric Works WM-61A
Panasonic Electronic Components WM-61A	Panasonic Industrial Automation Sales WM-61A	Panasonic Semiconductor WM-61A	

You May Be Also Be interested In:

 WM-BN-BM-01 Description: WM-BN-BM-01 USI LGA66 Manufacturers: USI In Stock: New original, 2692 pcs Stock Available. Quote: <input type="text"/> RFQ	 LQP02HQ56NH02 Description: MURATA SMD Manufacturers: MURATA In Stock: New original, 12077 pcs Stock Available. Quote: <input type="text"/> RFQ	 WM-BM-10_L Description: USI QFN Manufacturers: USI In Stock: New original, 2876 pcs Stock Available. Quote: <input type="text"/> RFQ
 WM-BG-AQ-02-REF1 Description: USI LGA Manufacturers: USI In Stock: New original, 2813 pcs Stock Available. Quote: <input type="text"/> RFQ	 WM-G-MR-05-SDIO Description: USI 17+ROHS Manufacturers: USI In Stock: New original, 2737 pcs Stock Available. Quote: <input type="text"/> RFQ	 WM-BC-AQ-02-REF1 Description: USI QFN Manufacturers: USI In Stock: New original, 2602 pcs Stock Available. Quote: <input type="text"/> RFQ
 WM-G-MR-05 Description: USI MODULE Manufacturers: USI In Stock: New original, 3857 pcs Stock Available. Quote: <input type="text"/> RFQ	 WM-G-AT-02-4293 Description: USI SMD Manufacturers: USI In Stock: New original, 2817 pcs Stock Available. Quote: <input type="text"/> RFQ	 PD2321I/1CK Description: PD2321I/1CK TI TSSOP Manufacturers: TI In Stock: New original, 2606 pcs Stock Available. Quote: <input type="text"/> RFQ
 DSP1-L2-DC24V-F Description: PANASONIC DIP Manufacturers: PANASONIC In Stock: New original, 2615 pcs Stock Available. Quote: <input type="text"/> RFQ	 WM-BG-AQ-02 Description: USI LGA Manufacturers: USI In Stock: New original, 2764 pcs Stock Available. Quote: <input type="text"/> RFQ	 WM-034FBP Description: WM-034FBP W DIP Manufacturers: W In Stock: New original, 2763 pcs Stock Available. Quote: <input type="text"/> RFQ
 WM-G-MR-09 Description: USI LGA Manufacturers: USI In Stock: New original, 2772 pcs Stock Available. Quote: <input type="text"/> RFQ	 WM-64PCX/PCT Description: WM-64PCX/PCT PANASONIC DIP Manufacturers: PANASONIC In Stock: New original, 2840 pcs Stock Available. Quote: <input type="text"/> RFQ	 AOB282 Description: AOB282 AOS TO-263 Manufacturers: AOS In Stock: New original, 2648 pcs Stock Available. Quote: <input type="text"/> RFQ
 WM-N-BM-01 LGA Description: USI LGA Manufacturers: USI In Stock: New original, 2829 pcs Stock Available. Quote: <input type="text"/> RFQ	 WM-500-ABG Description: DIGI BGA Manufacturers: DIGI In Stock: New original, 2775 pcs Stock Available. Quote: <input type="text"/> RFQ	 WM-G-MT-03 Description: USI BGA Manufacturers: USI In Stock: New original, 2749 pcs Stock Available. Quote: <input type="text"/> RFQ
 WM-N-BM-02 Description: WM-N-BM-02 USI LGA Manufacturers: USI In Stock: New original, 2803 pcs Stock Available. Quote: <input type="text"/> RFQ	 WM-BAN-BM-10-L Description: WM-BAN-BM-10-L USI SMD Manufacturers: USI In Stock: New original, 2642 pcs Stock Available. Quote: <input type="text"/> RFQ	 WM-BN-BM-02 LGA Description: WM-BN-BM-02 LGA USI LGA Manufacturers: USI In Stock: New original, 6400 pcs Stock Available. Quote: <input type="text"/> RFQ
 WM-AN-AT-01-EXT1 Description: N/A BGA Manufacturers: N/A In Stock: New original, 2849 pcs Stock Available. Quote: <input type="text"/> RFQ	 WM-N-BM-01 Description: USI LGA Manufacturers: USI In Stock: New original, 3800 pcs Stock Available. Quote: <input type="text"/> RFQ	 WM-64PCT Description: WM-64PCT Panasonic microphon Manufacturers: Panasonic In Stock: New original, 2686 pcs Stock Available. Quote: <input type="text"/> RFQ
 WM-BN-BM-01 LGA Description: WM-BN-BM-01 LGA USI LGA66 Manufacturers: USI In Stock: New original, 2636 pcs Stock Available. Quote: <input type="text"/> RFQ	 WM-N-BM-02-D-REF2 Description: USI LGA Manufacturers: USI In Stock: New original, 2699 pcs Stock Available. Quote: <input type="text"/> RFQ	 WM-BN-MR-01-WIFI Description: USI QFN Manufacturers: USI In Stock: New original, 2771 pcs Stock Available. Quote: <input type="text"/> RFQ
 WM-BN-BM-02 Description: WIFI QFN Manufacturers: WIFI In Stock: New original, 2740 pcs Stock Available. Quote: <input type="text"/> RFQ	 PESD1LIN/DG/B2 Description: PESD1LIN/DG/B2 NXP SOD-323 Manufacturers: NXP In Stock: New original, 67900 pcs Stock Available. Quote: <input type="text"/> RFQ	 WM-AG-AT-02-01 Description: USI LGA Manufacturers: USI In Stock: New original, 2815 pcs Stock Available. Quote: <input type="text"/> RFQ



IC Components Limited
WWW.IC-COMPONENTS.COM

Email: Info@IC-Components.com
TEL: 00 852 - 30501935
FAX: 00 852 - 30501945

Address: 6H Block 1, Sherwood Court, Kingswood Villa, Tin Shui Wai, New Territories, Hong Kong