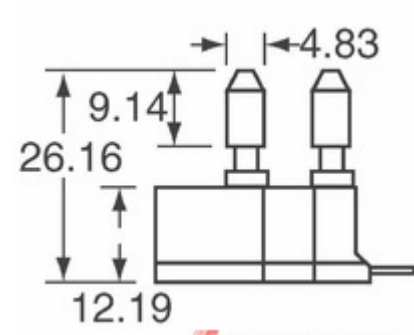


Honeywell



SCX15DN

Manufacturer Part Number:	SCX15DN
Manufacturer / Brand:	Honeywe
Part of Description:	
Datasheets:	
Lead Free Status / RoHS Status:	
Stock Condition:	New original, 5000 pcs Stock Available.
Ship From:	Hong Kong
Shipment Way:	DHL/Fedex/TNT/UPS

[GET A QUOTE](#)

SCX15DN 100% New Original 5000pcs in Stock, Find SCX15DN Price, Stock, datasheet at IC Components Ltd Online, buy SCX15DN Honeywell Sensing and Productivity Solutions with warrantied. 100% guarantee confidence. RFQ SCX15DN: Info@IC-Components.com

The specifications of SCX15DN

Part Number	SCX15DN	Manufacturer / Brand	Honeywe
Voltage - Supply	20V	Termination Style	PC Pin
Supplier Device Package	-	Series	SCX
Pressure Type	Differential	Port Style	Barbed
Port Size	Male - 0.19" (4.8mm) Tube, Dual	Package / Case	6-SIP Module
Output Type	Wheatstone Bridge	Output	0 mV ~ 90 mV (12V)
Other Names	287-1024	Operating Temperature	-40°C ~ 85°C
Operating Pressure	15 PSI (103.42 kPa)	Moisture Sensitivity Level (MSL)	1 (Unlimited)
Maximum Pressure	30 PSI (206.84 kPa)	Features	Temperature Compensated
Detailed Description	Pressure Sensor 15 PSI (103.42 kPa) Differential Male - 0.19" (4.8mm) Tube, Dual 0 mV ~ 90 mV (12V) 6-SIP Module	Accuracy	±1%
Stock Quantity	5000 pcs Stock	Category	Integrated Circuits (ICs) > Specialized ICs
Description	Lead Free Status / RoHS Status		

Keywords realted to SCX15DN

Honeywell Sensing and Productivity Solutions SCX15DN	SCX15DN part	SCX15DN Price	SCX15DN Distributor
SCX15DN Technical	SCX15DN Stock	SCX15DN Inventory	SCX15DN Supplier
SCX15DN Online Order	SCX15DN Inquiry	SCX15DN Image	SCX15DN Picture
SCX15DN pdf	SCX15DN datasheet	SCX15DN data sheet	SCX15DN pdf datasheet
Download SCX15DN datasheet	Honeywell Sensing and Productivity Solutions Manufacturer	Honeywell Sensing and Productivity Solutions SCX15DN	HONEYWELL SCX15DN
		Honeywell Sensing and Control EMEA SCX15DN	Honeywell Sensing and Productivity Solutions T&M SCX15DN

You May Be Also Be interested In:

<p>EUP7965-33VIR1 Description: EUTECH Manufacturers: EUTECH In Stock: New original, 2873 pcs Stock Available. Quote: RFQ</p>	<p>TLP628 Description: TOSHIBA NA Manufacturers: TOSHIBA In Stock: New original, 44000 pcs Stock Available. Quote: RFQ</p>	<p>SCX01DN Description: SENSOR TEMP COMP 1PSID Manufacturers: Honeywell Sensing and Productivity Solutions In Stock: New original, 2722 pcs Stock Available. Quote: RFQ</p>
<p>SCX05DNC Description: PRESSURE SENSOR 0-5 PSID Manufacturers: Honeywell Sensing and Productivity Solutions In Stock: New original, 2685 pcs Stock Available. Quote: RFQ</p>	<p>SCX6B04ADL/V0 Description: NSC PLCC28 Manufacturers: NSC In Stock: New original, 2697 pcs Stock Available. Quote: RFQ</p>	<p>SCX6B10AKF Description: NS DIP Manufacturers: NS In Stock: New original, 2748 pcs Stock Available. Quote: RFQ</p>
<p>SCX6B10EIT/N1 Description: NSC DIP28 Manufacturers: NSC In Stock: New original, 2834 pcs Stock Available. Quote: RFQ</p>	<p>SCX6225SSY Description: NS PLCC Manufacturers: NS In Stock: New original, 2723 pcs Stock Available. Quote: RFQ</p>	<p>SCX6B31EKN/V2 Description: NSC Manufacturers: NSC In Stock: New original, 5000 pcs Stock Available. Quote: RFQ</p>
<p>SCX50190BTC3 Description: ITHAGON BGA Manufacturers: ITHAGON In Stock: New original, 2895 pcs Stock Available. Quote: RFQ</p>	<p>ICS664G-03LF Description: ICS664G-03LF IDT TSOP16 Manufacturers: IDT In Stock: New original, 2676 pcs Stock Available. Quote: RFQ</p>	<p>SCX6225WLA/V5 Description: NS PLCC-84 Manufacturers: NS In Stock: New original, 3411 pcs Stock Available. Quote: RFQ</p>
<p>SCX6B04ALV/N4 Description: NSC DIP Manufacturers: NSC In Stock: New original, 2686 pcs Stock Available. Quote: RFQ</p>	<p>SCX6206WMU/V0 Description: NS PLCC28 Manufacturers: NS In Stock: New original, 2851 pcs Stock Available. Quote: RFQ</p>	<p>SCX6212ACO/V2 Description: NS PLCC-44 Manufacturers: NS In Stock: New original, 2750 pcs Stock Available. Quote: RFQ</p>
<p>MSP430F1471IRTD Description: TI Manufacturers: TI In Stock: New original, 5000 pcs Stock Available. Quote: RFQ</p>	<p>SCX01DNC Description: SENSOR TEMP COMP 1PSID Manufacturers: Honeywell Sensing and Productivity Solutions In Stock: New original, 3100 pcs Stock Available. Quote: RFQ</p>	<p>SCX6232WBF/VF8 Description: NEC QFP Manufacturers: NEC In Stock: New original, 2633 pcs Stock Available. Quote: RFQ</p>
<p>SCX6B10AJI Description: HARRIS DIP Manufacturers: HARRIS In Stock: New original, 2741 pcs Stock Available. Quote: RFQ</p>	<p>SCX6B150ALS/V5 Description: NSC PLCC-84P Manufacturers: NSC In Stock: New original, 2824 pcs Stock Available. Quote: RFQ</p>	<p>SCX6225MXF/E4 Description: NSC PGA Manufacturers: NSC In Stock: New original, 2894 pcs Stock Available. Quote: RFQ</p>
<p>P2000SB-L Description: P2000SB-L Littelfus SMB Manufacturers: Littelfus In Stock: New original, 6000 pcs Stock Available. Quote: RFQ</p>	<p>SCX6B31AIZ/V5 Description: NS PLCC Manufacturers: NS In Stock: New original, 2871 pcs Stock Available. Quote: RFQ</p>	<p>SCX6B48WKJ/V5 Description: NS PLCC84 Manufacturers: NS In Stock: New original, 2718 pcs Stock Available. Quote: RFQ</p>
<p>SCX6B10EFH/V2 Description: NS PLCC Manufacturers: NS In Stock: New original, 2615 pcs Stock Available. Quote: RFQ</p>	<p>SCX6206AAT/N3 Description: NS DIP40 Manufacturers: NS In Stock: New original, 2763 pcs Stock Available. Quote: RFQ</p>	<p>SCX6B86EKT/VF8 Description: NS QFP Manufacturers: NS In Stock: New original, 2817 pcs Stock Available. Quote: RFQ</p>
<p>SCX6206SXZ/N3 Description: NS DIP Manufacturers: NS In Stock: New original, 2832 pcs Stock Available. Quote: RFQ</p>	<p>SCXL004DN Description: Honeywell Sensing and Productivity Solutions Manufacturers: Honeywell Sensing and Productivity Solutions In Stock: New original, 2694 pcs Stock Available. Quote: RFQ</p>	<p>SCX6206TBU/V0 Description: NSC PLCC Manufacturers: NSC In Stock: New original, 2669 pcs Stock Available. Quote: RFQ</p>



IC Components Limited
WWW.IC-COMPONENTS.COM

Email: Info@IC-Components.com
TEL: 00 852 - 30501935
FAX: 00 852 - 30501945

Address: 6H Block 1, Sherwood Court, Kingswood Villa, Tin Shui Wai, New Territories, Hong Kong