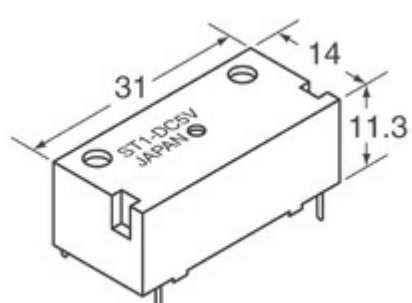


**Panasonic**



**ST1-DC48V**

|                                 |  |
|---------------------------------|--|
| Manufacturer Part Number:       | ST1-DC48V                              |
| Manufacturer / Brand:           | Panasonic                              |
| Part of Description:            | RELAY GEN PURPOSE DPST 8A 48V          |
| Datasheets:                     | <a href="#">ST1-DC48V.pdf</a>          |
| Lead Free Status / RoHS Status: | Lead free / RoHS Compliant             |
| Stock Condition:                | New original, 100 pcs Stock Available. |
| Ship From:                      | Hong Kong                              |
| Shipment Way:                   | DHL/Fedex/TNT/UPS                      |

[GET A QUOTE](#)

**ST1-DC48V** 100% New Original 100pcs in Stock, Find ST1-DC48V Price, Stock, datasheet at IC Components Ltd Online, buy ST1-DC48V Panasonic with warranted. 100% guarantee confidence. RFQ ST1-DC48V: [Info@IC-Components.com](mailto:Info@IC-Components.com)

The specifications of ST1-DC48V

|                                |   |                        |                               |
|--------------------------------|---|------------------------|-------------------------------|
| Part Number                    | ST1-DC48V   | Manufacturer / Brand   | Panasonic                     |
| Series                         | ST  | Packaging              | Tube                          |
| Mounting Type                  | Through Hole  | Operating Temperature  | -40°C ~ 60°C                  |
| Detailed Description           | General Purpose Relay DPST-NO/NC (1 Form A, 1 From B) 48VDC Coil Through Hole | Termination Style      | PC Pin                        |
| Features                       | Sealed - Fully  | Contact Material       | Silver Alloy                  |
| Contact Form                   | DPST-NO/NC (1 Form A, 1 From B)   | Relay Type             | General Purpose               |
| Coil Type                      | Non Latching  | Coil Resistance        | 9 kOhms                       |
| Coil Current                   | 5.3mA   | Coil Voltage           | 48VDC                         |
| Contact Rating (Current)       | 8A  | Switching Voltage      | 380VAC, 250VDC - Max          |
| Turn On Voltage (Max)          | 38.4 VDC  | Turn Off Voltage (Min) | 4.8 VDC                       |
| Operate Time                   | 15ms  | Release Time           | 10ms                          |
| Coil Power                     | 240 mW  | Stock Quantity         | 100 pcs Stock                 |
| Category                       | <a href="#">Relays &gt; Power Relays, Over 2 Amps</a>                         | Description            | RELAY GEN PURPOSE DPST 8A 48V |
| Lead Free Status / RoHS Status | Lead free / RoHS Compliant  |                        |                               |

Keywords related to ST1-DC48V

|  |   |   |  |
|--|---|---|--|
| <a href="#">Panasonic ST1-DC48V</a>                              | <a href="#">ST1-DC48V part</a>                                  | <a href="#">ST1-DC48V Price</a>                           | <a href="#">ST1-DC48V Distributor</a>  |
| <a href="#">ST1-DC48V Technical</a>                              | <a href="#">ST1-DC48V Stock</a>                                 | <a href="#">ST1-DC48V Inventory</a>                       | <a href="#">ST1-DC48V Supplier</a>   |
| <a href="#">ST1-DC48V Online Order</a>                           | <a href="#">ST1-DC48V Inquiry</a>                               | <a href="#">ST1-DC48V Image</a>                           | <a href="#">ST1-DC48V Picture</a>  |
| <a href="#">ST1-DC48V pdf</a>                                    | <a href="#">ST1-DC48V datasheet</a>                             | <a href="#">ST1-DC48V data sheet</a>                      | <a href="#">ST1-DC48V pdf datasheet</a>                                      |
| <a href="#">Download ST1-DC48V datasheet</a>                     | <a href="#">Panasonic Manufacturer</a>                          | <a href="#">Panasonic ST1-DC48V</a>                       | <a href="#">Panasonic - Consumer Division ST1-DC48V</a>                      |
| <a href="#">Panasonic - Consumer Electronics Corp. ST1-DC48V</a> | <a href="#">Panasonic Battery Group ST1-DC48V</a>               | <a href="#">Panasonic Electric Works - ACSD ST1-DC48V</a> | <a href="#">Panasonic Electronic Components - Semiconductor Pr ST1-DC48V</a> |
| <a href="#">Panasonic - ATG ST1-DC48V</a>                        | <a href="#">Panasonic - BSG ST1-DC48V</a>                       | <a href="#">Panasonic - DTG ST1-DC48V</a>                 | <a href="#">Panasonic Electric Works ST1-DC48V</a>                           |
| <a href="#">Panasonic Electronic Components ST1-DC48V</a>        | <a href="#">Panasonic Industrial Automation Sales ST1-DC48V</a> | <a href="#">Panasonic Semiconductor ST1-DC48V</a>         |  |

You May Be Also Be interested In:

|   |   |  |
|---|---|--|
| <p><b>ST1000C26K3L</b><br/>Description: IGBT Modules<br/>Manufacturers:<br/>In Stock: New original, 1700 pcs Stock Available.<br/>Quote: <a href="#">RFQ</a></p>                          | <p><b>ST1</b><br/>Description: TIP REPLACEMENT SCREWDR .062"<br/>Manufacturers: Apex Tool Group<br/>In Stock: New original, 800 pcs Stock Available.<br/>Quote: <a href="#">RFQ</a></p>     | <p><b>ST1000C28K1</b><br/>Description: IGBT Modules<br/>Manufacturers:<br/>In Stock: New original, 1600 pcs Stock Available.<br/>Quote: <a href="#">RFQ</a></p>                            |
| <p><b>ST1</b><br/>Description: CABLE STRIPPING TOOL<br/>Manufacturers: Bel<br/>In Stock: New original, 800 pcs Stock Available.<br/>Quote: <a href="#">RFQ</a></p>                        | <p><b>ST10080HC-C2</b><br/>Description: ST10080HC-C2 INTEL QFP<br/>Manufacturers: INTEL<br/>In Stock: New original, 1000 pcs Stock Available.<br/>Quote: <a href="#">RFQ</a></p>            | <p><b>ST1000C20K3L</b><br/>Description: IGBT Modules<br/>Manufacturers:<br/>In Stock: New original, 1600 pcs Stock Available.<br/>Quote: <a href="#">RFQ</a></p>                           |
| <p><b>ST10028PE</b><br/>Description: ST10028PE LEVELONE PLCC<br/>Manufacturers: LEVELONE<br/>In Stock: New original, 1000 pcs Stock Available.<br/>Quote: <a href="#">RFQ</a></p>         | <p><b>ST100</b><br/>Description: TAPE,3/1 RATIO,100' X 3/8,STEEL<br/>Manufacturers: Apex Tool Group<br/>In Stock: New original, 400 pcs Stock Available.<br/>Quote: <a href="#">RFQ</a></p> | <p><b>ST1000C26K1</b><br/>Description: IGBT Modules<br/>Manufacturers:<br/>In Stock: New original, 1800 pcs Stock Available.<br/>Quote: <a href="#">RFQ</a></p>                            |
| <p><b>ST1000C20K1</b><br/>Description: IGBT Modules<br/>Manufacturers:<br/>In Stock: New original, 1600 pcs Stock Available.<br/>Quote: <a href="#">RFQ</a></p>                           | <p><b>ST1-DC24V-F</b><br/>Description: RELAY GEN PURPOSE DPST 8A 24V<br/>Manufacturers: Panasonic<br/>In Stock: New original, 400 pcs Stock Available.<br/>Quote: <a href="#">RFQ</a></p>   | <p><b>ST1000C26K0</b><br/>Description: IGBT Modules<br/>Manufacturers:<br/>In Stock: New original, 1600 pcs Stock Available.<br/>Quote: <a href="#">RFQ</a></p>                            |
| <p><b>ST1002</b><br/>Description: ST1002 STANSON SOT-23-3L<br/>Manufacturers: STANSON<br/>In Stock: New original, 12300 pcs Stock Available.<br/>Quote: <a href="#">RFQ</a></p>           | <p><b>ST1004QC</b><br/>Description: ST1004QC LEVELONE QFP64<br/>Manufacturers: LEVELONE<br/>In Stock: New original, 200 pcs Stock Available.<br/>Quote: <a href="#">RFQ</a></p>             | <p><b>ST10039QE</b><br/>Description: ST10039QE INTEL QFP<br/>Manufacturers: INTEL<br/>In Stock: New original, 800 pcs Stock Available.<br/>Quote: <a href="#">RFQ</a></p>                  |
| <p><b>ST1-DC48V-F</b><br/>Description: RELAY GEN PURPOSE DPST 8A 48V<br/>Manufacturers: Panasonic<br/>In Stock: New original, 100 pcs Stock Available.<br/>Quote: <a href="#">RFQ</a></p> | <p><b>ST10040QC</b><br/>Description: ST10040QC LEVEL QFP64<br/>Manufacturers: LEVEL<br/>In Stock: New original, 7600 pcs Stock Available.<br/>Quote: <a href="#">RFQ</a></p>                | <p><b>ST1004SRG</b><br/>Description: ST1004SRG STANSON SOT-23<br/>Manufacturers: STANSON<br/>In Stock: New original, 12300 pcs Stock Available.<br/>Quote: <a href="#">RFQ</a></p>         |
| <p><b>ST10043QC</b><br/>Description: ST10043QC INTEL QFP<br/>Manufacturers: INTEL<br/>In Stock: New original, 2800 pcs Stock Available.<br/>Quote: <a href="#">RFQ</a></p>                | <p><b>ST1000C24K0</b><br/>Description: IGBT Modules<br/>Manufacturers:<br/>In Stock: New original, 1600 pcs Stock Available.<br/>Quote: <a href="#">RFQ</a></p>                             | <p><b>ST1008</b><br/>Description: ST1008 SMD SMD<br/>Manufacturers: SMD<br/>In Stock: New original, 500 pcs Stock Available.<br/>Quote: <a href="#">RFQ</a></p>                            |
| <p><b>ST10035QC</b><br/>Description: ST10035QC LEVELONE QFP<br/>Manufacturers: LEVELONE<br/>In Stock: New original, 100 pcs Stock Available.<br/>Quote: <a href="#">RFQ</a></p>           | <p><b>ST1000C26K0L</b><br/>Description: IGBT Modules<br/>Manufacturers:<br/>In Stock: New original, 1600 pcs Stock Available.<br/>Quote: <a href="#">RFQ</a></p>                            | <p><b>ST1-DC12V-F</b><br/>Description: RELAY GEN PURPOSE DPST 8A 12V<br/>Manufacturers: Panasonic<br/>In Stock: New original, 1000 pcs Stock Available.<br/>Quote: <a href="#">RFQ</a></p> |
| <p><b>ST100036-504</b><br/>Description: ST100036-504 ST SOP28<br/>Manufacturers: ST<br/>In Stock: New original, 200 pcs Stock Available.<br/>Quote: <a href="#">RFQ</a></p>               | <p><b>ST10056PE E2</b><br/>Description: ST10056PE E2 INTEL PLCC<br/>Manufacturers: INTEL<br/>In Stock: New original, 200 pcs Stock Available.<br/>Quote: <a href="#">RFQ</a></p>            | <p><b>ST1005SRG</b><br/>Description: ST1005SRG STANSON SOT-23<br/>Manufacturers: STANSON<br/>In Stock: New original, 12300 pcs Stock Available.<br/>Quote: <a href="#">RFQ</a></p>         |
| <p><b>ST1000C22K0</b><br/>Description: IGBT Modules<br/>Manufacturers:<br/>In Stock: New original, 1600 pcs Stock Available.<br/>Quote: <a href="#">RFQ</a></p>                           | <p><b>ST1000C24K0L</b><br/>Description: IGBT Modules<br/>Manufacturers:<br/>In Stock: New original, 1600 pcs Stock Available.<br/>Quote: <a href="#">RFQ</a></p>                            | <p><b>ST1-DC5V</b><br/>Description: RELAY GENERAL PURPOSE DPST 8A 5V<br/>Manufacturers: Panasonic<br/>In Stock: New original, 2000 pcs Stock Available.<br/>Quote: <a href="#">RFQ</a></p> |



**IC Components Limited**  
WWW.IC-COMPONENTS.COM

Email: [Info@IC-Components.com](mailto:Info@IC-Components.com)  
TEL: 00 852 - 30501935  
FAX: 00 852 - 30501945

Address: 6H Block 1, Sherwood Court, Kingswood Villa, Tin Shui Wai, New Territories, Hong Kong