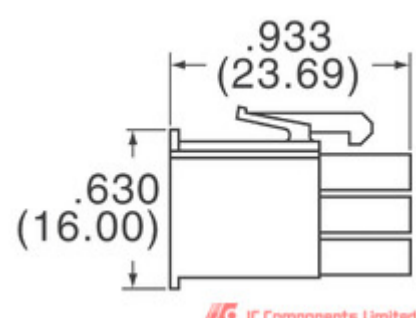




AUTHORIZED DISTRIBUTOR



## 172171-1

<b>Manufacturer Part Number:</b>	172171-1
<b>Manufacturer / Brand:</b>	TE
<b>Part of Description:</b>	
<b>Datasheets:</b>	
<b>Lead Free Status / RoHS Status:</b>	
<b>Stock Condition:</b>	New original, 5000 pcs Stock Available.
<b>Ship From:</b>	Hong Kong
<b>Shipment Way:</b>	DHL/Fedex/TNT/UPS

[GET A QUOTE](#)

**172171-1** 100% New Original 5000pcs in Stock, Find 172171-1 Price, Stock, datasheet at IC Components Ltd Online, buy 172171-1 Agastat Relays / TE Connectivity with warrantied. 100% guarantee confidence. RFQ 172171-1: [Info@IC-Components.com](mailto:Info@IC-Components.com)

### The specifications of 172171-1

Part Number	172171-1	Manufacturer / Brand	TE
Series	Mini-Universal MATE-N-LOK	Row Spacing	0.163" (4.14mm)
Pitch	0.163" (4.14mm)	Packaging	Bulk
Other Names	1721711 A25704	Number of Rows	3
Number of Positions	15	Note	Contacts Not Included
Mounting Type	Free Hanging (In-Line)	Moisture Sensitivity Level (MSL)	1 (Unlimited)
Features	-	Fastening Type	Latch Lock
Detailed Description	15 Position Rectangular Housing Connector Plug Natural 0.163" (4.14mm)	Contact Type	Male or Female
Contact Termination	Crimp	Connector Type	Plug
Color	Natural	Stock Quantity	5000 pcs Stock
Category	<a href="#">Integrated Circuits (ICs) &gt; Specialized ICs</a>	Description	
Lead Free Status / RoHS Status			

### Keywords realted to 172171-1

Agastat Relays / TE Connectivity 172171-1	172171-1 part	172171-1 Price	172171-1 Distributor
172171-1 Technical	172171-1 Stock	172171-1 Inventory	172171-1 Supplier
172171-1 Online Order	172171-1 Inquiry	172171-1 Image	172171-1 Picture
172171-1 pdf	172171-1 datasheet	172171-1 data sheet	172171-1 pdf datasheet
Download 172171-1 datasheet	Agastat Relays / TE Connectivity Manufacturer	Agastat Relays / TE Connectivity 172171-1	Axicom Relays / TE Connectivity 172171-1
Buchanan Terminal Blocks / TE Connectivity 172171-1	CGS Resistors / TE Connectivity 172171-1	CII / TE Connectivity 172171-1	Elcon Connectors / TE Connectivity 172171-1
Holsworthy Resistors / TE Connectivity 172171-1	Kilovac Relays / TE Connectivity 172171-1	Neohm Resistors / TE Connectivity 172171-1	OEG Relays / TE Connectivity 172171-1
Products Unlimited Transformers & Relays / TE Conn 172171-1	Q-Cee's / TE Connectivity 172171-1	Schrack Relays / TE Connectivity 172171-1	Sigma Inductors / TE Connectivity 172171-1
TE Connectivity's CGS Resistors 172171-1	TE Connectivity's Agastat Relays 172171-1	TE Connectivity's Axicom Relays 172171-1	TE Connectivity's Buchanan Terminal Blocks 172171-1
TE Connectivity's Neohm Resistors 172171-1	TE Connectivity's CII 172171-1	TE Connectivity's Elcon Connectors 172171-1	TE Connectivity's Holsworthy Resistors 172171-1
TE Connectivity's Sigma Inductors 172171-1	TE Connectivity's OEG Relays 172171-1	TE Connectivity's Q-Cee's 172171-1	TE Connectivity's Schrack Relays 172171-1
	TE Connectivity's Products Unlimited Transformers 172171-1	TE Connectivity's Kilovac Relays 172171-1	

### You May Be Also Be interested In:

<p><b>172888-2</b> <b>Description:</b> 172888-2 TE NA <b>Manufacturers:</b> TE <b>In Stock:</b> New original, 2747 pcs Stock Available. Quote: <input type="text"/> RFQ</p>	<p><b>1726ADJESN(MCP1726-ADJE/S)</b> <b>Description:</b> 1726ADJESN(MCP1726-ADJE/S) <b>Manufacturers:</b> MICROCHIP <b>In Stock:</b> New original, 2741 pcs Stock Available. Quote: <input type="text"/> RFQ</p>	<p><b>172338-1</b> <b>Description:</b> CONN PLUG HOUSE 4POS MATE-N-LOK <b>Manufacturers:</b> Agastat Relays / TE Connectivity <b>In Stock:</b> New original, 2889 pcs Stock Available. Quote: <input type="text"/> RFQ</p>
<p><b>1728352</b> <b>Description:</b> CONN TERM BLOCK 9POS 3.81MM <b>Manufacturers:</b> Phoenix Contact <b>In Stock:</b> New original, 2606 pcs Stock Available. Quote: <input type="text"/> RFQ</p>	<p><b>1726150</b> <b>Description:</b> CONN TERM BLK 2LVL 8POS 5MM <b>Manufacturers:</b> Phoenix Contact <b>In Stock:</b> New original, 2795 pcs Stock Available. Quote: <input type="text"/> RFQ</p>	<p><b>MC74HC4049N</b> <b>Description:</b> MC74HC4049N MOT DIP <b>Manufacturers:</b> MOT <b>In Stock:</b> New original, 2817 pcs Stock Available. Quote: <input type="text"/> RFQ</p>
<p><b>IPD60R360P7</b> <b>Description:</b> IPD60R360P7 INFINEON TO-252 <b>Manufacturers:</b> INFINEON <b>In Stock:</b> New original, 2616 pcs Stock Available. Quote: <input type="text"/> RFQ</p>	<p><b>172130-1108</b> <b>Description:</b> 172130-1108 MOLEX <b>Manufacturers:</b> MOLEX <b>In Stock:</b> New original, 2832 pcs Stock Available. Quote: <input type="text"/> RFQ</p>	<p><b>17256DPC</b> <b>Description:</b> 17256DPC XILINX DIP-8P <b>Manufacturers:</b> XILINX <b>In Stock:</b> New original, 2771 pcs Stock Available. Quote: <input type="text"/> RFQ</p>
<p><b>172064-1004</b> <b>Description:</b> 172064-1004 MOUSER NA <b>Manufacturers:</b> MOUSER <b>In Stock:</b> New original, 2809 pcs Stock Available. Quote: <input type="text"/> RFQ</p>	<p><b>1726G-13LFT</b> <b>Description:</b> 1726G-13LFT IDT TSSOP <b>Manufacturers:</b> IDT <b>In Stock:</b> New original, 2654 pcs Stock Available. Quote: <input type="text"/> RFQ</p>	<p><b>1723-35</b> <b>Description:</b> 1723-35 A/N TO220 <b>Manufacturers:</b> A/N <b>In Stock:</b> New original, 2656 pcs Stock Available. Quote: <input type="text"/> RFQ</p>
<p><b>172316-1216</b> <b>Description:</b> MOLEX DIP-16 <b>Manufacturers:</b> MOLEX <b>In Stock:</b> New original, 2834 pcs Stock Available. Quote: <input type="text"/> RFQ</p>	<p><b>172169-1</b> <b>Description:</b> <b>Manufacturers:</b> TE <b>In Stock:</b> New original, 5000 pcs Stock Available. Quote: <input type="text"/> RFQ</p>	<p><b>1721081-5</b> <b>Description:</b> 1721081-5 TYCOELECT NA <b>Manufacturers:</b> TYCOELECT <b>In Stock:</b> New original, 5000 pcs Stock Available. Quote: <input type="text"/> RFQ</p>
<p><b>17256XVC</b> <b>Description:</b> 17256XVC XILINX SOP-8P <b>Manufacturers:</b> XILINX <b>In Stock:</b> New original, 2817 pcs Stock Available. Quote: <input type="text"/> RFQ</p>	<p><b>172336-1</b> <b>Description:</b> CONN PLUG 2POS MINI-U MATE-N-LOK <b>Manufacturers:</b> Agastat Relays / TE Connectivity <b>In Stock:</b> New original, 2806 pcs Stock Available. Quote: <input type="text"/> RFQ</p>	<p><b>ICS950908BFLF</b> <b>Description:</b> ICS950908BFLF ICS SSOP <b>Manufacturers:</b> ICS <b>In Stock:</b> New original, 2670 pcs Stock Available. Quote: <input type="text"/> RFQ</p>
<p><b>SS6608STR</b> <b>Description:</b> COUNTRY SOT23-5 <b>Manufacturers:</b> COUNTRY <b>In Stock:</b> New original, 10316 pcs Stock Available. Quote: <input type="text"/> RFQ</p>	<p><b>17256EVI</b> <b>Description:</b> 17256EVI XILINX SOP <b>Manufacturers:</b> XILINX <b>In Stock:</b> New original, 2814 pcs Stock Available. Quote: <input type="text"/> RFQ</p>	<p><b>FS100R12KT4_B11</b> <b>Description:</b> FS100R12KT4_B11 INFINION MODULE <b>Manufacturers:</b> IGBT Module <b>In Stock:</b> New original, 2862 pcs Stock Available. Quote: <input type="text"/> RFQ</p>
<p><b>1726G-16LFT(ICS1726G-16LFT)</b> <b>Description:</b> 1726G-16LFT(ICS1726G-16LFT IDT TSSOP <b>Manufacturers:</b> IDT <b>In Stock:</b> New original, 10500 pcs Stock Available. Quote: <input type="text"/> RFQ</p>	<p><b>17256EPC</b> <b>Description:</b> 17256EPC XILINX DIP <b>Manufacturers:</b> XILINX <b>In Stock:</b> New original, 2685 pcs Stock Available. Quote: <input type="text"/> RFQ</p>	<p><b>IRS2136DS</b> <b>Description:</b> IRS2136DS IR SOP-28 <b>Manufacturers:</b> IR <b>In Stock:</b> New original, 2703 pcs Stock Available. Quote: <input type="text"/> RFQ</p>
<p><b>172130-1808</b> <b>Description:</b> 172130-1808 MOLEX <b>Manufacturers:</b> MOLEX <b>In Stock:</b> New original, 2831 pcs Stock Available. Quote: <input type="text"/> RFQ</p>	<p><b>1723-33CE</b> <b>Description:</b> 1723-33CE S TO-252 <b>Manufacturers:</b> S <b>In Stock:</b> New original, 2737 pcs Stock Available. Quote: <input type="text"/> RFQ</p>	<p><b>172801-0006</b> <b>Description:</b> 172801-0006 MOLEX <b>Manufacturers:</b> MOLEX <b>In Stock:</b> New original, 2761 pcs Stock Available. Quote: <input type="text"/> RFQ</p>
<p><b>172832-0005</b> <b>Description:</b> 172832-0005 MOLEX <b>Manufacturers:</b> MOLEX <b>In Stock:</b> New original, 2710 pcs Stock Available. Quote: <input type="text"/> RFQ</p>	<p><b>1726G-16LFT(ICS1726G-16LFT)</b> <b>Description:</b> IDT TSSOP <b>Manufacturers:</b> IDT <b>In Stock:</b> New original, 10411 pcs Stock Available. Quote: <input type="text"/> RFQ</p>	<p><b>17273R5</b> <b>Description:</b> JOHANSONMANUFACTURING SMD <b>Manufacturers:</b> JOHANSONMANUFACTURING <b>In Stock:</b> New original, 2665 pcs Stock Available. Quote: <input type="text"/> RFQ</p>



**IC Components Limited**  
WWW.IC-COMPONENTS.COM

Email: [Info@IC-Components.com](mailto:Info@IC-Components.com)  
TEL: 00 852 - 30501935  
FAX: 00 852 - 30501945

Address: 6H Block 1, Sherwood Court, Kingswood Villa, Tin Shui Wai, New Territories, Hong Kong