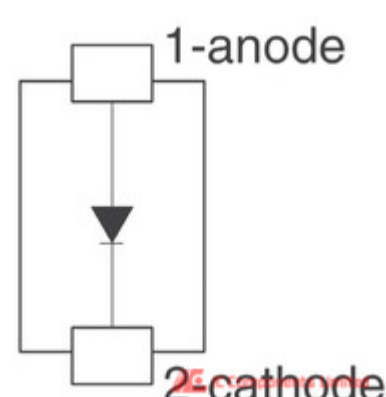


Panasonic



MA27P010GL

Manufacturer Part Number:	MA27P010GL
Manufacturer / Brand:	Panasonic
Part of Description:	DIODE PIN 60V 100MA SSSMINI-2P
Datasheets:	MA27P010GL.pdf
Lead Free Status / RoHS Status:	Lead free / RoHS Compliant
Stock Condition:	New original, 10000 pcs Stock Available.
Ship From:	Hong Kong
Shipment Way:	DHL/Fedex/TNT/UPS

[GET A QUOTE](#)

MA27P010GL 100% New Original 10000pcs in Stock, Find MA27P010GL Price, Stock, datasheet at IC Components Ltd Online, buy MA27P010GL Panasonic with warrantied. 100% guarantee confidence. RFQ MA27P010GL: Info@IC-Components.com

The specifications of MA27P010GL

Part Number	MA27P010GL	Manufacturer / Brand	Panasonic
Series	-	Moisture Sensitivity Level (MSL)	1 (Unlimited)
Base Part Number	MA27P01	Package / Case	2-SMD, Flat Lead
Packaging	Tape & Reel (TR)	Supplier Device Package	SSSMINI2-F3
Operating Temperature	150°C (TJ)	Detailed Description	RF Diode PIN - Single 60V 100mA 150mW SSSMINI2-F3
Current - Max	100mA	Diode Type	PIN - Single
Voltage - Peak Reverse (Max)	60V	Capacitance @ Vr, F	0.8pF @ 1V, 1MHz
Resistance @ If, F	1 Ohm @ 10mA, 100MHz	Power Dissipation (Max)	150mW
Other Names	MA27P010GLTR	Stock Quantity	10000 pcs Stock
Category	Discrete Semiconductor Products > Diodes - RF	Description	DIODE PIN 60V 100MA SSSMINI-2P
Lead Free Status / RoHS Status	Lead free / RoHS Compliant		

Keywords realted to MA27P010GL

Panasonic MA27P010GL	MA27P010GL part	MA27P010GL Price	MA27P010GL Distributor
MA27P010GL Technical	MA27P010GL Stock	MA27P010GL Inventory	MA27P010GL Supplier
MA27P010GL Online Order	MA27P010GL Inquiry	MA27P010GL Image	MA27P010GL Picture
MA27P010GL pdf	MA27P010GL datasheet	MA27P010GL data sheet	MA27P010GL pdf datasheet
Download MA27P010GL datasheet	Panasonic Manufacturer	Panasonic MA27P010GL	Panasonic - Consumer Division MA27P010GL
Panasonic - Consumer Electronics Corp. MA27P010GL	Panasonic Battery Group MA27P010GL	Panasonic Electric Works - ACSD MA27P010GL	Panasonic Electronic Components - Semiconductor Pr MA27P010GL
Panasonic - ATG MA27P010GL	Panasonic - BSG MA27P010GL	Panasonic - DTG MA27P010GL	Panasonic Electric Works MA27P010GL
Panasonic Electronic Components MA27P010GL	Panasonic Industrial Automation Sales MA27P010GL	Panasonic Semiconductor MA27P010GL	

You May Be Also Be interested In:

<p>MA27D2900L Description: DIODE SCHOTTKY 30V 100MA Manufacturers: Panasonic In Stock: New original, 17000 pcs Stock Available. Quote: <input type="button" value="RFQ"/></p>	<p>MA27V020R2TD Description: MA27V020R2TD Panasonic SOD-523 Manufacturers: Panasonic In Stock: New original, 6000 pcs Stock Available. Quote: <input type="button" value="RFQ"/></p>	<p>MA27V0300L Description: DIODE VARIABLE CAP 6V SSS-MINI Manufacturers: Panasonic In Stock: New original, 10000 pcs Stock Available. Quote: <input type="button" value="RFQ"/></p>
<p>MA27D300GL Description: DIODE SCHOTTKY 30V 100MA Manufacturers: PanaVise In Stock: New original, 303000 pcs Stock Available. Quote: <input type="button" value="RFQ"/></p>	<p>MA27D290GL Description: DIODE SCHOTTKY 30V 100MA Manufacturers: Panasonic In Stock: New original, 50000 pcs Stock Available. Quote: <input type="button" value="RFQ"/></p>	<p>MA27V020S1TD Description: MA27V020S1TD Panasonic SOD-723SSSMINI Manufacturers: Panasonic In Stock: New original, 40000 pcs Stock Available. Quote: <input type="button" value="RFQ"/></p>
<p>MA27V030P1TD Description: MA27V030P1TD Panasonic SOD-723SSSMINI Manufacturers: Panasonic In Stock: New original, 30000 pcs Stock Available. Quote: <input type="button" value="RFQ"/></p>	<p>MA27V0200L Description: DIODE VARIABLE CAP 6V SSS-MINI Manufacturers: Panasonic In Stock: New original, 220000 pcs Stock Available. Quote: <input type="button" value="RFQ"/></p>	<p>MA273310Q1TD Description: MA273310Q1TD Panasonic 0402 Manufacturers: Panasonic In Stock: New original, 49600 pcs Stock Available. Quote: <input type="button" value="RFQ"/></p>
<p>MA2733100L Description: MA2733100L panasonic SOD-523 Manufacturers: Panasonic In Stock: New original, 152400 pcs Stock Available. Quote: <input type="button" value="RFQ"/></p>	<p>MA27V030P2LW Description: MA27V030P2LW panasonic SOD-80 Manufacturers: Panasonic In Stock: New original, 10000 pcs Stock Available. Quote: <input type="button" value="RFQ"/></p>	<p>MA27D2700L Description: DIODE SCHOTTKY 20V 100MA Manufacturers: Panasonic In Stock: New original, 13500 pcs Stock Available. Quote: <input type="button" value="RFQ"/></p>
<p>MA27V0400L Description: DIODE VARIABLE CAP 6V SSS-MINI Manufacturers: Panasonic In Stock: New original, 10000 pcs Stock Available. Quote: <input type="button" value="RFQ"/></p>	<p>MA27D290GL+ Description: MA27D290GL+ PANASONIC SOD-523 Manufacturers: Panasonic In Stock: New original, 2200 pcs Stock Available. Quote: <input type="button" value="RFQ"/></p>	<p>MA27D290GLBF Description: MA27D290GLBF Panasonic SOD-723 Manufacturers: Panasonic In Stock: New original, 10000 pcs Stock Available. Quote: <input type="button" value="RFQ"/></p>
<p>IMAGE NOT AVAILABLE</p> <p>MA27P1200L Description: MA27P1200L PANANONIC SOD-72 Manufacturers: PANANONIC In Stock: New original, 50000 pcs Stock Available. Quote: <input type="button" value="RFQ"/></p>	<p>IMAGE NOT AVAILABLE</p> <p>MA27V010P1SA Description: MA27V010P1SA PANASOIC SOD723 Manufacturers: PANASOIC In Stock: New original, 32000 pcs Stock Available. Quote: <input type="button" value="RFQ"/></p>	<p>MA27V040P10F Description: MA27V040P10F Panasonic SOT723 Manufacturers: Panasonic In Stock: New original, 125000 pcs Stock Available. Quote: <input type="button" value="RFQ"/></p>
<p>IMAGE NOT AVAILABLE</p> <p>MA27V040Q1TD Description: MA27V040Q1TD Panasonnic SOD523 Manufacturers: PANASONIC In Stock: New original, 40000 pcs Stock Available. Quote: <input type="button" value="RFQ"/></p>	<p>MA27D3000L Description: DIODE SCHOTTKY 30V 100MA Manufacturers: Panasonic In Stock: New original, 53400 pcs Stock Available. Quote: <input type="button" value="RFQ"/></p>	<p>MA27V020Q1LW Description: MA27V020Q1LW Panasonic SOD-723SSSMINI Manufacturers: Panasonic In Stock: New original, 4000 pcs Stock Available. Quote: <input type="button" value="RFQ"/></p>
<p>MA273310P1TD Description: MA273310P1TD Panasonic 0402 Manufacturers: Panasonic In Stock: New original, 50000 pcs Stock Available. Quote: <input type="button" value="RFQ"/></p>	<p>MA27V030Q1TD Description: MA27V030Q1TD Panasonic SOD-723SSSMINI Manufacturers: Panasonic In Stock: New original, 17800 pcs Stock Available. Quote: <input type="button" value="RFQ"/></p>	<p>MA2772800L Description: DIODE SCHOTTKY 30V 30MA SSSMINI2 Manufacturers: PanaVise In Stock: New original, 30000 pcs Stock Available. Quote: <input type="button" value="RFQ"/></p>
<p>MA27D070GL Description: MA27D070GL Panasonic SOD-923 Manufacturers: Panasonic In Stock: New original, 1500 pcs Stock Available. Quote: <input type="button" value="RFQ"/></p>	<p>MA27D300GL+ Description: MA27D300GL+ PANASONIC SOD-723 Manufacturers: Panasonic In Stock: New original, 10000 pcs Stock Available. Quote: <input type="button" value="RFQ"/></p>	<p>IMAGE NOT AVAILABLE</p> <p>MA27V020R3TD Description: MA27V020R3TD Panasoni SOT23 Manufacturers: Panasoni In Stock: New original, 12000 pcs Stock Available. Quote: <input type="button" value="RFQ"/></p>
<p>MA2778400L Description: DIODE SCHOTTKY 30V 100MA Manufacturers: PanaVise In Stock: New original, 8200 pcs Stock Available. Quote: <input type="button" value="RFQ"/></p>	<p>MA27784L Description: MA27784L Panasonic SOD-523 Manufacturers: Panasonic In Stock: New original, 10000 pcs Stock Available. Quote: <input type="button" value="RFQ"/></p>	<p>MA27V040P1TD Description: MA27V040P1TD panasonic SOD-723 Manufacturers: Panasonic In Stock: New original, 29400 pcs Stock Available. Quote: <input type="button" value="RFQ"/></p>



IC Components Limited
WWW.IC-COMPONENTS.COM

Email: Info@IC-Components.com
TEL: 00 852 - 30501935
FAX: 00 852 - 30501945

Address: 6H Block 1, Sherwood Court, Kingswood Villa, Tin Shui Wai, New Territories, Hong Kong