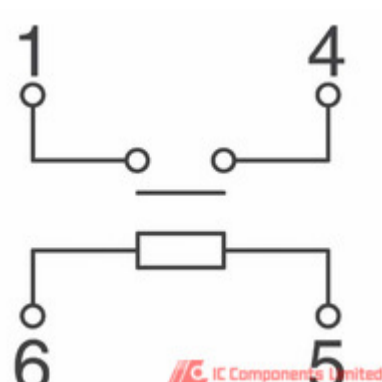


**Panasonic**



**HE1aN-DC24V**

Manufacturer Part Number:	HE1aN-DC24V
Manufacturer / Brand	NAIS
Part of Description:	NAIS IGBT Modules
Datasheets:	<a href="#">HE1aN-DC24V.pdf</a>
Lead Free Status / RoHS Status:	
Stock Condition:	New original, 2714 pcs Stock Available.
Ship From:	Hong Kong
Shipment Way:	DHL/Fedex/TNT/UPS

**GET A QUOTE**

**HE1aN-DC24V** 100% New Original 2714pcs in Stock, Find HE1aN-DC24V Price, Stock, datasheet at IC Components Ltd Online, buy HE1aN-DC24V Panasonic with warrantied. 100% guarantee confidence. RFQ HE1aN-DC24V: [Info@IC-Components.com](mailto:Info@IC-Components.com)

The specifications of HE1aN-DC24V

Part Number	HE1aN-DC24V	Manufacturer / Brand	NAIS
Turn On Voltage (Max)	16.8 VDC	Turn Off Voltage (Min)	2.4 VDC
Termination Style	Plug In, Quick Connect - 0.250" (6.3mm)	Switching Voltage	277VAC, 30VDC - Max
Series	HE	Release Time	10ms
Relay Type	General Purpose	Packaging	Bulk
Other Names	255-1642 HE1ANDC24V	Operating Temperature	-50°C ~ 55°C
Operate Time	30ms	Mounting Type	Chassis Mount
Moisture Sensitivity Level (MSL)	1 (Unlimited)	Features	-
Detailed Description	General Purpose Relay SPST-NO (1 Form A) 24VDC Coil Chassis Mount	Contact Rating (Current)	30A
Contact Material	Silver Tin Oxide (AgSnO)	Contact Form	SPST-NO (1 Form A)
Coil Voltage	24VDC	Coil Type	Non Latching
Coil Resistance	300 Ohms	Coil Power	1.92 W
Coil Current	80.0mA	Stock Quantity	2714 pcs Stock
Category	<a href="#">Relays &gt; Power Relays, Over 2 Amps</a>	Description	NAIS IGBT Modules
Lead Free Status / RoHS Status			

Keywords related to HE1aN-DC24V

Panasonic HE1aN-DC24V	HE1aN-DC24V part	HE1aN-DC24V Price	HE1aN-DC24V Distributor
HE1aN-DC24V Technical	HE1aN-DC24V Stock	HE1aN-DC24V Inventory	HE1aN-DC24V Supplier
HE1aN-DC24V Online Order	HE1aN-DC24V Inquiry	HE1aN-DC24V Image	HE1aN-DC24V Picture
HE1aN-DC24V pdf	HE1aN-DC24V datasheet	HE1aN-DC24V data sheet	HE1aN-DC24V pdf datasheet
Download HE1aN-DC24V datasheet	Panasonic Manufacturer	Panasonic HE1aN-DC24V	Panasonic - Consumer Division HE1aN-DC24V
Panasonic - Consumer Electronics Corp. HE1aN-DC24V	Panasonic Battery Group HE1aN-DC24V	Panasonic Electric Works - ACSD HE1aN-DC24V	Panasonic Electronic Components - Semiconductor Pr HE1aN-DC24V
Panasonic - ATG HE1aN-DC24V	Panasonic - BSG HE1aN-DC24V	Panasonic - DTG HE1aN-DC24V	Panasonic Electric Works HE1aN-DC24V
Panasonic Electronic Components HE1aN-DC24V	Panasonic Industrial Automation Sales HE1aN-DC24V	Panasonic Semiconductor HE1aN-DC24V	

You May Be Also Be interested In:

 <b>HE1713D</b> Description: NA SMD Manufacturers: NA In Stock: New original, 2681 pcs Stock Available. Quote: <input type="text"/> RFQ	 <b>HE1a-P-DC24V</b> Description: IGBT Modules Manufacturers: Matsushita In Stock: New original, 2702 pcs Stock Available. Quote: <input type="text"/> RFQ	 <b>HE1AN-W-DC12V-Y6</b> Description: PANASONIC DIP Manufacturers: PANASONIC In Stock: New original, 2822 pcs Stock Available. Quote: <input type="text"/> RFQ
 <b>HE1A4A-D-T2</b> Description: RENESAS SOT-89 Manufacturers: RENESAS In Stock: New original, 17960 pcs Stock Available. Quote: <input type="text"/> RFQ	 <b>HE1a-P-DC24V</b> Description: NAIS IGBT Modules Manufacturers: NAIS In Stock: New original, 2618 pcs Stock Available. Quote: <input type="text"/> RFQ	 <b>HE12AE1U12</b> Description: SAMSUNG SOT143 Manufacturers: SAMSUNG In Stock: New original, 50983 pcs Stock Available. Quote: <input type="text"/> RFQ
 <b>HE1A4A</b> Description: NEC SOT-89 Manufacturers: NEC In Stock: New original, 21100 pcs Stock Available. Quote: <input type="text"/> RFQ	 <b>HE1AN-P-DC48V</b> Description: RELAY GEN PURPOSE SPST 30A 48V Manufacturers: Panasonic In Stock: New original, 2896 pcs Stock Available. Quote: <input type="text"/> RFQ	 <b>HE12BF1U11</b> Description: SAMSUNG SOT143 Manufacturers: SAMSUNG In Stock: New original, 15000 pcs Stock Available. Quote: <input type="text"/> RFQ
 <b>HE167C9</b> Description: HE SMD Manufacturers: HE In Stock: New original, 2664 pcs Stock Available. Quote: <input type="text"/> RFQ	 <b>HE18B</b> Description: HONGDA SOT89 Manufacturers: HONGDA In Stock: New original, 3000 pcs Stock Available. Quote: <input type="text"/> RFQ	 <b>HE12AFU11</b> Description: SAMSUNG SOT-143 Manufacturers: SAMSUNG In Stock: New original, 9000 pcs Stock Available. Quote: <input type="text"/> RFQ
 <b>HE1AN-P-DC12V-Y5</b> Description: RELAY GEN PURPOSE SPST 48A 12V Manufacturers: Panasonic In Stock: New original, 2854 pcs Stock Available. Quote: <input type="text"/> RFQ	 <b>HE12BE1U12</b> Description: SAMSUNG SOT143 Manufacturers: SAMSUNG In Stock: New original, 2958 pcs Stock Available. Quote: <input type="text"/> RFQ	 <b>HE1AN-S-DC48V</b> Description: RELAY GEN PURPOSE SPST 30A 48V Manufacturers: Panasonic In Stock: New original, 2739 pcs Stock Available. Quote: <input type="text"/> RFQ
 <b>HE1aN-S-AC200V-Y2</b> Description: HE1aN-S-AC200V-Y2 松下 . Manufacturers: Original In Stock: New original, 2615 pcs Stock Available. Quote: <input type="text"/> RFQ	 <b>HE1AN-W-DC12V</b> Description: HE1AN-W-DC12V PANASONIC DIP Manufacturers: PANASONIC In Stock: New original, 2887 pcs Stock Available. Quote: <input type="text"/> RFQ	 <b>HE12AF1D12L</b> Description: SENTRONIX/NANOS SOT-143 Manufacturers: SENTRONIX/NANOS In Stock: New original, 12000 pcs Stock Available. Quote: <input type="text"/> RFQ
 <b>HE1AN-DC12V</b> Description: RELAY GEN PURPOSE SPST 30A 12V Manufacturers: Panasonic In Stock: New original, 2666 pcs Stock Available. Quote: <input type="text"/> RFQ	 <b>HE1AN-DC48V</b> Description: RELAY GEN PURPOSE SPST 30A 48V Manufacturers: Panasonic In Stock: New original, 2743 pcs Stock Available. Quote: <input type="text"/> RFQ	 <b>HE1A4A-D-T2-AZ</b> Description: RENESAS SOT89 Manufacturers: RENESAS In Stock: New original, 2670 pcs Stock Available. Quote: <input type="text"/> RFQ
 <b>HE12AF1U12</b> Description: SENTRONIC SOT-343 Manufacturers: SENTRONIC In Stock: New original, 101857 pcs Stock Available. Quote: <input type="text"/> RFQ	 <b>HE12BF1U12</b> Description: SAMSUNG SOT-143 Manufacturers: SAMSUNG In Stock: New original, 98927 pcs Stock Available. Quote: <input type="text"/> RFQ	 <b>HE12AF1U11</b> Description: SAMSUNG SOT143 Manufacturers: SAMSUNG In Stock: New original, 139900 pcs Stock Available. Quote: <input type="text"/> RFQ
 <b>HE1AN-S-AC200V</b> Description: HE1AN-S-AC200V 松下 DIP Manufacturers: Original In Stock: New original, 2629 pcs Stock Available. Quote: <input type="text"/> RFQ	 <b>HE1a-DC24V</b> Description: PANASONIC DIP Manufacturers: PANASONIC In Stock: New original, 2842 pcs Stock Available. Quote: <input type="text"/> RFQ	 <b>HE16F</b> Description: AGILENT FBAR Manufacturers: AGILENT In Stock: New original, 2654 pcs Stock Available. Quote: <input type="text"/> RFQ
 <b>HE1AN-P-DC12V</b> Description: Manufacturers: PANASONIC In Stock: New original, 5000 pcs Stock Available. Quote: <input type="text"/> RFQ	 <b>HE1a-P-DC100V</b> Description: HE1a-P-DC100V 松下 . Manufacturers: Original In Stock: New original, 2644 pcs Stock Available. Quote: <input type="text"/> RFQ	 <b>HE1671</b> Description: HONGDA SOT23-6 Manufacturers: HONGDA In Stock: New original, 7590 pcs Stock Available. Quote: <input type="text"/> RFQ



**IC Components Limited**  
WWW.IC-COMPONENTS.COM

Email: [Info@IC-Components.com](mailto:Info@IC-Components.com)  
TEL: 00 852 - 30501935  
FAX: 00 852 - 30501945

Address: 6H Block 1, Sherwood Court, Kingswood Villa, Tin Shui Wai, New Territories, Hong Kong